

## BULLET SERIES

### OUTDOOR EMERGENCY LIGHT + "NORMALLY ON" LIGHT



#### OVERVIEW

The Bullet Series is a popular outdoor light fixture because of its ability to be a stand alone emergency light and also a lighting fixture for general illumination. The multi-functional operation allows the Bullet Series to be a 2-for-1 solution for applications where both emergency lighting and general lighting are required.

The Bullet comes with an 11W LED light engine which produces 1,080 lumens in AC mode and 260 lumens in emergency mode. The LED lamp has a 50,000 hour lifespan. The standard finish is bronze but it is also available in white, black, or silver.

Maintenance issues are simple to solve with the ease of self-diagnostics, which constantly monitors operation and eliminates monthly OSHA testing requirements.

#### ELECTRICAL SPECIFICATIONS

120/277V AC dual-voltage operation is standard.

#### "NORMALLY ON" AC & EMERGENCY MODE

The AC and emergency light model (ACBB) comes standard with a photocell for automatic operation from dusk till dawn. This can easily be disconnected and a timer or other type of lighting control can be used to determine hours of operation.

#### EXTERNAL SPECIFICATIONS

The architectural and low profile design of the Bullet Series seeks to improve on more conventional outdoor egress lights that traditionally have a bulky design which can be unattractive and take away from a structure's natural aesthetic appeal.

#### BATTERY AND COLD LOCATION OPTION

The Bullet Series comes with a maintenance-free nickel cadmium battery that provides an estimated service life of 10 years. The operating temperature range for the nicad battery is 0° to 50° C and for colder environments the optional battery heater increases the temperature range to -4°F (-20°C). Add ordering suffix "CL" for cold location operation to the product SKU configured from the ordering information matrix on the following page.

#### LED LAMP SPECIFICATIONS

The Bullet Series features a single, 11-watt high performance LED lamp that has an expected lifespan of 50,000 hours. The output is 1,080 lumens (260 lumens in emergency mode) and features a 5000K color temp with a CRI rating of 70.

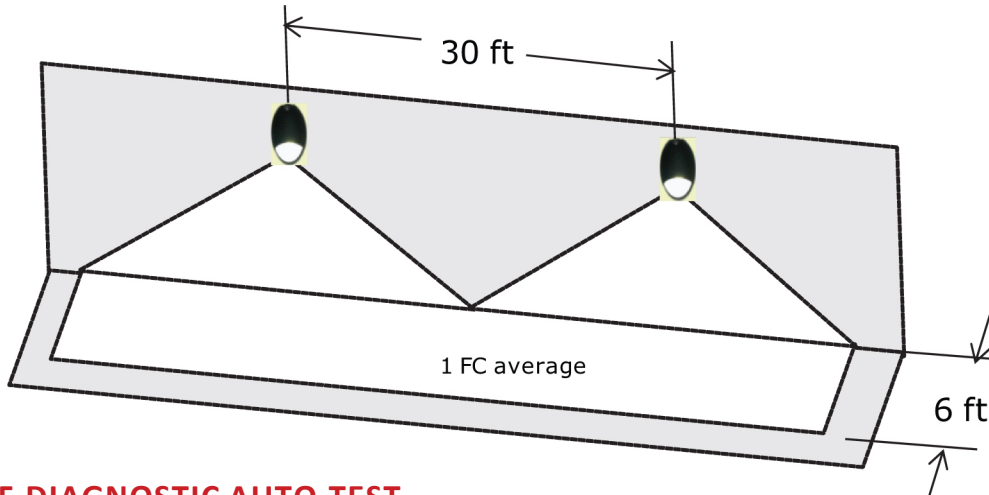
A UV stable mirror-bright reflector and prismatic polycarbonate refractor are included for maximum light output.

#### INSTALLATION

This model back mounts to most inflammable surfaces. Fully gasketed construction for protection from the elements.

**MOUNTING GUIDELINES**

NOTE: Meets Life Safety Code standard minimum luminance of 0.1 FC and average luminance of 1.0 FC. Illustration shows a guideline for corridor center-to-center with 9 foot mounting height and minimum 80-50-20 reflectance values.

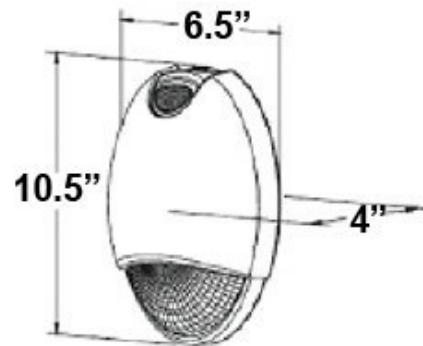


**SELF-DIAGNOSTIC AUTO-TEST**

Auto-test diagnostics are optional on the Bullet and increase the effectiveness of maintenance/facilities staff members by reducing the amount of time spent on maintaining, testing, and repairing a building’s emergency lighting system.

Purchase the AT option for a few dollars more per unit to eliminate the requirement of monthly/yearly manual testing of emergency lights/exit signs.

**DIMENSIONS**



**CODE COMPLIANCE**

The Bullet Series meets or exceeds all performance standards as required by UL 924, UL 1598, UL 8750, NFPA 70, NFPA 101, NEC 700.16, RoHS and WEEE.

**WARRANTY**

The Bullet Series comes with a 3-year factory warranty. The lamps are not covered. Deliberate damage, misuse, or improper installation effectively cancel the warranty. Battery features a 20% per year pro-rata warranty.



**ORDERING INFORMATION**

| Series/Light Source | Operation                                    | Color   | Options  |
|---------------------|--|---|--|
| BLT (10W LED)       | BB (emergency only)<br>ACBB (AC & emergency) | BR (dark bronze)<br>WH (white)<br>BL (black)<br>SA (silver) | AT (self-diagnostics)<br>CL (cold location package -4°F) |