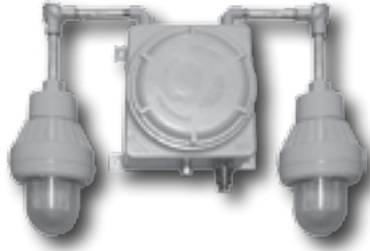


TYPE:	_____
CATALOG #:	_____
NOTES:	_____

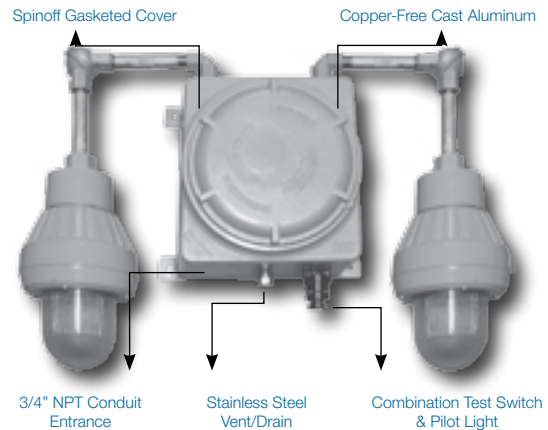


EXC Series

6 and 12 Volt – Class I, Div. 1 & 2, Groups C & D and Class II, Div. 1 & 2, Groups E, F & G Power Unit

Features

- Allows mounting up to 3 hazardous area fixtures directly on the power unit or remotely.
- Corrosion-resistant, copper-free cast aluminum construction. A weatherproof gasketed spinoff cover, UL listed stainless steel vent/drain and silicone conformal coating on the circuit board protect the electronics against humidity. Comes standard with epoxy finish for added corrosion protection in harsh environments.
- Available with sealed, maintenance-free Nickel-Cadmium batteries.
- Charger offers 120/277 VAC, 60 Hz, 0.3/0.15A, 36 watt (other inputs available), fused DC output circuit, AC pilot light supervision, temperature compensation, sealed relay, low voltage battery disconnect, brownout protection, lockout (automatic battery connect), solid state, current limited, constant current short circuit proof and reverse polarity protection.
- Meets hazardous location requirements: Class I Division 1 & 2 (Groups C & D), Class II Division 1 & 2 (Groups E, F & G).
- 3-year limited warranty
Detailed warranty terms located at: www.emergi-lite.com/usa/files/EL_Warranty.pdf



Fixtures

The **EXC Series** may be supplied with 1 or 2 hazardous fixtures mounted directly on the power unit and/or remotely as the application dictates (for remote fixtures, consult hazardous area fixture data sheet).

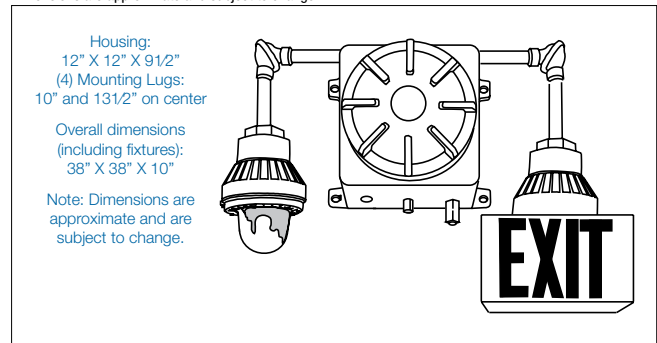
Lamp Fixtures (EP Series) See page 72: Fully directional U.L. listed copper-free cast aluminum construction, swivel-mounted, Pyrex® lens, complete with either 9, 18, or 25 watt HIT lamps (halogen optional). Available with optional guard or reflectors. Pyrex® is a registered trademark of Corning Glass.

Exit Fixtures (XP Series) See page 73: Mounted to the power unit, these exit signs are supplied standard with our unique integral transfer switch (TS) and utilize either a 6V-15W XX6 lamp or 12V-25W XX12 lamp. This enables the exit to operate in both the normal AC mode as well as DC mode. The exit sign consists of an EP fixture coupled with a heavy duty steel, baked enamel finish exit shroud with ample downlight. Supplied standard as a single face sign, red stencil faceplate; double face and green stencil also available.

For other legends, please consult your sales representative.

Dimensions

Dimensions are approximate and subject to change.



Unit Rating

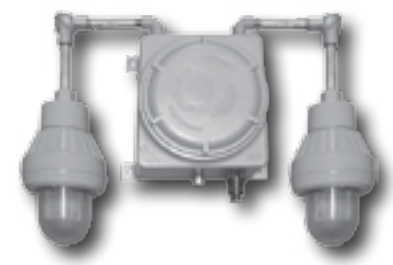
UNIT EQUIPMENT - WITH REMOTE CAPABILITY						
Sealed Maintenance-Free Battery Types	D.C. Voltage	Model Number	Watts to 87-1/2% of rated battery voltage*			
			1-1/2 hrs	2 hrs	4 hrs	8 hrs
Nickel-Cadmium	6	EXC1	18	12	–	–
	6	EXC2	25	18	9	–
	6	EXC3	36	21	12	6
	6	EXC5	50	36	18	10
	12	1EXC3	36	21	12	6
	12	1EXC5	50	36	18	10
	12	1EXC7	72	42	24	12

*National Electrical Code Specification

TYPE: _____
 CATALOG #: _____

 NOTES: _____

EXC SERIES CLASS 1 DIVISION 1 & 2 EMERGENCY



Designed to meet the specific requirements Class I, Division 1&2, Groups C and D Class II, Division 1&2, Groups E, F and G Complies with NEC, OSHA and NEMA specification

Standard Configurations for EXC Series

UNIT	CATALOG NUMBER	DESCRIPTION
 (Remote Capability)	1EXC5-0 1EXC5-TS	12 volt, 50 watt self-contained hazardous area emergency lighting power unit complete with battery and charger. (No heads) 12 volt, 50 watt self-contained hazardous area emergency lighting power unit complete with battery, charger and transfer switch. (No heads)
 1EXC5-11G 1EXC5-11G-TS	1EXC5-11G 1EXC5-11G-TS	12 volt, 50 watt, single head unit with 12 volt, 25 watt HIT lamp. (One head) 12 volt, 50 watt, single head unit with built-in transfer switch and 12 volt, 25 watt HIT lamp. (One head)
 EXC3-2IB EXC5-2IB-TS	EXC3-2IB EXC5-2IB-TS	6 volt, 36 watt, self-contained hazardous area emergency lighting power units complete with battery and charger. Fixture supplied with one (1B) 18 watt HIT lamp (Two heads) 6 volt, 50 watt, double head unit with built-in transfer switch and 12 volt, 25 watt HIT lamp (Two heads)
 EXC2-T1SR	EXC2-T1SR	6 volt, 15 watt, self-contained unit with integral low voltage transfer circuit (TS) to operate exit lamp in both normal and emergency modes. Suggested catalog number shown indicates single face exit with red stencil faceplate. For green, substitute G for R. For double face, substitute D for S. (One Exit sign)
 EXC-1HD-T1SR	EXC-1HD-T1SR	6 volt, 50 watt unit. In addition to the exit lamp which operates in both normal and emergency modes, emergency lighting can be achieved with (1) additional emergency lighting head. (Example: HD = 6V-12W). (One head & one Exit sign)

Note: Above units are supplied with appropriate wattage (HIT) High Intensity Tungsten lamps (unless otherwise specified). Alternate wattages lamps or halogen lamps may be substituted as required. Exit provided with 25 watt lamps only.

How to Order

The **EXC Series** is available with a wide variety of fixtures, mountings, voltages, etc. To make your selection easier, we have listed the standard configurations in the chart above. When ordering exit fixtures, additional to the basic catalog number, you must specify single or double face and color of faceplate. Insert these suffix letters at the end of model number.

SERIES	CAPACITY	NO. OF FIXTURES	LAMPS*	EXIT SIGN*	OPTIONS
EXC= 6V 1EXC= 12V	1= 18W (6V only) 2= 25W (6V only) 3= 36W (6V, 12V) 5= 50W (6V, 12V) 7= 72W (12V only)	-0= No remote -1= One remote -2= Two remotes	Blank= No lamps HB= 6V-8W Bi-Pin halogen HF= 12V-8W Bi-Pin halogen HG= 12V-12W Bi-Pin halogen	Blank= No exits -T1SR= Single face red -T1SG= Single face green -T1DR= Double face red -T1DG= Double face green	Blank= No options TS= Transfer switch -D1= Time Delay (5 minutes) -D2= Time Delay (10 minutes) -D3= Time Delay (15 minutes) -RD= Dome reflector -RA= Angle reflector -GXP= Aluminum guard
			* Lamps for emergency lights	* Exit lamp included	