

**NY-CEX SERIES**  
**NEW YORK CITY EXIT SIGN COMBINATION**



**COMBO EXIT SIGN ADVANTAGES**

- 2 for 1 solution: exit & emergency light
- New York City Approved
- Three powerful 9-watt lamp heads
- Simple Push-Button Battery Testing
- Low Operating Costs
- 15-Year LED Lifespan
- UL 924 Listed

**OVERVIEW**

The NY-CEX Series is one of the most popular New York City Approved fixtures offered and it is always available to ship immediately. Combination exit sign with emergency light models, like this one, satisfy two NYC building code requirements with just one fixture. When faced with installing an exit sign and an emergency light in the same location, choose a combo model.

Exit signs are required to be installed throughout all types of commercial buildings in North America. Emergency lights work hand in hand with exit signs by providing illumination along the path of egress. These safety lighting fixtures work together to create a quick and effective system for evacuating a building during an emergency.

Combo models have gained popularity over the last 20 years because there is just one fixture and battery to maintain, instead of two.

**EXTERNAL SPECIFICATIONS**

The housing is constructed from a durable and flame-retardant thermoplastic that is corrosion resistant. This LED exit sign combo comes standard in white, but is also available with a black finish. The universal mounting bracket is easy to snap-on to the back or top of the sign.

**INTERNAL SPECIFICATIONS**

The NY-CEX Series is configured with universal 120/277V AC input and solid state charging circuitry. Low voltage disconnect, AC lockout, and brownout protection are included standard.

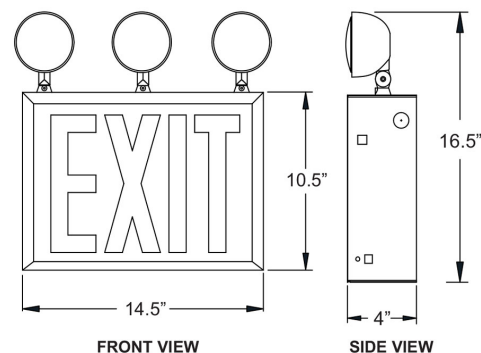
**LED "EXIT" LIGHT SPECIFICATIONS**

Red LED illumination consumes less than 5 watts electricity at all times. Maintenance-free LED technology features an expected LED lifespan is up to 15 years. The letters are 8" tall with a 1" stroke.

**LAMP SPECIFICATIONS**

Emergency lights utilize 6V 9W wedge-base incandescent lamps that provide powerful emergency illumination. The third lamp head can be removed if the application only requires two lamp heads.

**DIMENSIONS**





You can remove the 3rd lamp head if needed

### ELECTRICAL SPECIFICATIONS

120/277V AC dual-voltage operation is standard. Other voltages available upon request such as 220V, 240V, and 480V.

### CODE COMPLIANCE

The NY-CEX Series emergency light is compliant with building and fire code regulations throughout the United States and Canada. UL924 for USA and CUL for Canada. CSA Listed.

NFPA 101 Life Safety Code, NEC, ICC, IBC, Damp Location Approved. NYC Approved.



### WARRANTY

The NY-CEX Series comes with a three-year factory warranty. The lamps are not covered. Deliberate damage, misuse, or improper installation effectively cancel the warranty. Battery features a 20% per year pro-rata warranty.

### BATTERY BACKUP SYSTEM

The NY-CEX Series features a maintenance free, sealed lead acid exit sign battery. The battery features a 24-hour recharge time and provides 90-minutes of emergency run time. Comes standard with a current charge regulator. Simply press the external test button to satisfy monthly and yearly testing requirements.

### INSTALLATION

Metal exit sign combo fixtures, like the NY-CEX Series, are only for indoor installation onto normally inflammable surfaces. Make sure to charge the unit for at least 24 hours before testing the battery backup system.

Relatively easy to install, the unit comes with detailed instructions and features a snap-together housing and universal mounting capability to make wall (back mount) installation quicker.

### ORDERING INFORMATION

Series	Letter Color	Housing Color	Operation
NY-CEX	R (red)	W (white)	BB (battery backup)