



Survive-All™ SVX Series

NEMA-4X, Vandal Resistant and Harsh Environment Combination Unit

Features

- Each unit comes with two (2) MR16 high intensity lamps (standard). Fully field-adjustable lamp head assembly offers the option of selecting either a halogen lamp or a high efficiency white LED light source for optimum illumination over the path of egress. Exit light source LED
- Rugged PVC body will not dent, peel or corrode. The sealed faceplate is constructed with a heavy duty, vandal-resistant polycarbonate cover and fastened with stainless steel tamper-resistant screws
- Available with sealed, maintenance-free Nickel-Cadmium batteries
- This circuitry is programmed to ensure the exit combination unit's readiness and reliability by continuously monitoring every critical function of the unit. If a problem occurs, a single "Service Required" indicator illuminates immediately. A detailed diagnostic display that will further indicate the nature of the fault is located on the inside of the exit sign, out of sight from the general public. The self test will check the unit for a minimum of 30 seconds every 30 days, 30 minutes every 60 days and 90 minutes annually. PulsePlus Charger circuitry offers 120/277 volt input 60 Hz, 0.3/0.15 Amps (other inputs available), fused output circuit(s), dual diagnostic indicator lights, temperature compensated charger, sealed relay, low voltage battery disconnect, brownout protection and lockout (automatic battery connect). Magnetically operated test switch
- Can be wall, end or ceiling mounted
- NEMA 4X* Rated. UL Listed. Listed for wet and Damp Locations 50°F to 104°F (+10°C/+40°C)
- 5-year full warranty, excluding lamps and fuses

* Nema-4X Certified for wall or ceiling mounting only

Accessories (order as a separate item)

DESCRIPTION	PART NUMBER
Additional special bit for tamper-proof screws	690.0454-E
Additional test magnet	199.0133-E

Applications

- Hosedown areas / car washes
- Food processing / preparation facilities
- Marine locations
- Chemical plants
- Schools and other public facilities
- Parking garages
- Transit platforms
- Sports arenas / swimming pools
- Security areas / prisons
- Warehouse and cold storage facilities
- Heavy industrial facilities

Note: Units installed outdoors must be in a shaded area (Lead-Calcium batteries)

How to Order

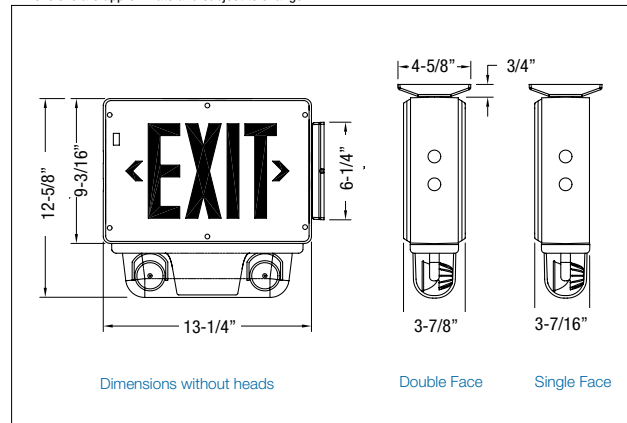
HOUSING/FACE COLOR	SERIES/CAPACITY	FACES	LEGEND COLOR	DIAGNOSTICS	HOUSING	# OF HEADS	LAMP TYPE/WATTAGE	OPTIONS
WW = White/white WB = White/black WA = White/aluminum BB = Black/black BW = Black/white BA = Black/aluminum GA = Gray/aluminum GW = Gray/white GB = Gray/black	SVX12N = 6V-12W SVX24N = 12V-24W	1= Single face 2= Doubleface	R = Red legend G = Green legend	DA = Advanced Diagnostics (audible) D = Advanced Diagnostics (non-audible) NEX = NEXUS® wired* NEXRF = NEXUS® wireless*	4X = Wet/Damp Locations	Blank = 0 heads* 2 = Two heads	LA = 6V-4W, MR16 LED LG = 12V-4W, MR16 LED LI = 12V-5W, MR16 LED LJ = 12V-6W, MR16 LED MI = 6V-6W, MR16 MK = 12V-12W, MR16	Blank = No options CW4 = Cold weather (-40°F/-40°C)* FA = Flasher (fire alarm activated) F/B = Flasher/buzzer (AC power failure) FL = Flasher (AC power failure) -208V = 208VAC, 60Hz input -240V = 240VAC, 60Hz input -208V50HZ = 208VAC, 50Hz input -CM = Canopy pendant mount
				* Consult your sales representative		* A remote load must be connected		* Single face only

Example: **WWSVX12N1RD4X2LGCW4**

(T) 800.282.5600 | evan@thelightsource.co | (F) 310.496.3250

Dimensions

Dimensions are approximate and subject to change.



Unit Rating

Sealed Maintenance-Free Battery Types	Watts to 87-1/2% of rated battery voltage*			
	1-1/2 hrs	2 hrs	3 hrs	4 hrs
Nickel-Cadmium	12	9	-	-
	24	18	12	9

* National Electrical Code Specification.

Power Consumption

Model	AC Specs		DC Specs (90 minutes)	
SVX12N	120/277VAC	0.12/0.06A 13W	6V	12W
SVX24N	120/277VAC	0.17/0.08A 19W	12V	24W