



Survive-All™ SVX Exit Series
NEMA-4X Rated and UL Listed for Wet
and Damp Locations



Features

Reliability

The Survive-All™ SVX Series has a 5-year full warranty.

Unit Data - NEMA-4X* Rated

Rugged polyvinyl chloride body will not dent, peel, rust or corrode. The sealed faceplate is constructed of heavy duty, vandal-resistant polycarbonate and features an evenly illuminated legend. The fully gasketed faceplate is fastened with stainless steel tamper-resistant screws. Magnetically operated test switch. Models can be wall, end or ceiling mounted. Legend and chevron complies with UL and CSA requirements.

Survive-All™ SVX Series signs are unaffected by the vibrations, ambient temperature swings and typical power surges detrimental to standard exit light sources.

NEMA 4X* Rated. UL Listed. Listed for wet and Damp Locations 50°F to 104°F (+10°C/+40°C)

* Nema-4X Certified for wall or ceiling mounting only

Accessories (order as a separate item)

DESCRIPTION	PART NUMBER
Tamper-proof bit	690.0454-E
Convert single to double face, red	DFKR*
Convert single face to double face, green	DFKG*

* Colors available AL-BK-WT

Applications

- | | |
|--|---|
| <ul style="list-style-type: none"> Hosedown areas / car washes Food processing / preparation facilities Marine locations Chemical plants Schools and other public facilities Parking garages Food processing / preparation facilities | <ul style="list-style-type: none"> Transit platforms Sports arenas / swimming pools Security areas / prisons Warehouse and cold storage facilities Heavy industrial facilities |
|--|---|

Note: Units installed outdoors must be in a shaded area (Lead-Calcium batteries)

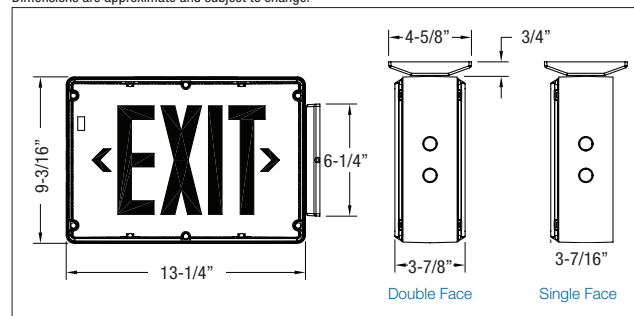
How to Order

HOUSING COLOR	SERIES	FACE	LEGEND	DIAGNOSTIC	HOUSING	OPTIONS
BB = Black/black BW = Black/white BA = Black/aluminum GB = Gray/black GW = Gray/white GA = Gray/aluminum WB = White/black WW = White/white WA = White/aluminum	SVX = AC only SVXN = Self-Powered Ni-Cd	1 = Single 2 = Double	R = Red G = Green	Blank = Standard D = Diagnostic (Self-Powered only) NEX = NEXUS® wired (consult your sales representative) NEXRF = NEXUS® wireless (consult your sales representative)	4X = Wet/Damp Locations*	Blank = No options 2CKT = Dual circuit (AC only)* CW = Cold weather (Self-Powered -4°F to 77°F / -20°C to 25°C – AC/DC -40°F to 77°F / -40°C to 25°C) DC = 6 to 48 VDC** FA = Fire alarm activated flasher* FL = Flasher only* FZ = Flasher/buzzer (Self-Powered only)*

Example: **BBSVXN1RD4X-FA**

Dimensions

Dimensions are approximate and subject to change.



High Performance Circuitry

- Self Contained – Batteries and circuitry located inside the exit housing.
- Continuous self-diagnostic monitoring and monthly self testing.
- Fully automatic charger is solid state.
- AC, AC/DC and Self-Powered Models have universal, 2-wire input 120V to 277VAC 50/60 Hz.
- Sealed, maintenance-free Nickel-Cadmium battery provides 90 minutes of emergency operation.
- Battery recharges per UL924 requirements.
- Each unit comes standard with one tamper-proof driver bit.

Power Consumption (LED Exit Signs)

Model	AC Specs		DC Specs	
AC-only	120 to 277VAC	1.2W	–	–
AC/DC	120 to 277VAC	1.2W	6 to 24VDC	Less than 1.5W
Self-Powered	120 to 277VAC	3.7W	Nickel-Cadmium	Min. 90 minutes

* NEMA 4X rated for wall or ceiling mount only

*Not available with Nexus® option
**Not available with Self-Power