

XPEL SERIES

Explosion Proof LED Emergency Light

Key Features:

- 1 High lumen spot lights (2) can be adjusted in horizontal and vertical planes
- 2 Unit can power up to 2 (optional) remote spot lights
- 3 Field replaceable LED circuit boards and drivers with quick disconnects
- 4 Emergency battery back-up integral to luminaire (no additional enclosure required)
- 5 3-hour emergency operation



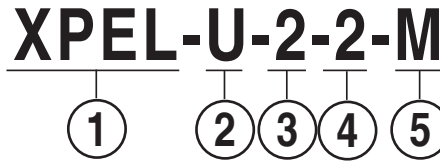
Additional Features:

- Wall, pendant and end mounting options
- Captive hinged-access door
- Wide- and narrow-beam optics available
- Separate push-to-test and pilot light for local and remote heads
- Provided with three (3) 1" NPT hubs

Standard Materials:

- Body: A360 aluminum (less than .4% copper content) with baked-on gray epoxy finish
- Gasket: One-piece neoprene
- Hardware: Stainless steel

Catalog Number Logic



1 BASIC SERIES
 XPEL
 Class I, Division 1, Groups C & D
 Class II, Division 1, Groups E, F & G
 Class III
 Class I, Zone 1, Groups IIA, IIB,
 UL 844, 1598, 8750 & 924
 UL 1598A Marine Outside Type (Salt Water)
 USCG Regulation 46 Sub Part 111.75-15(e) & 112.43
 CUL
 IP65
 NEMA 4X
 Suitable for Wet Locations

2 VOLTAGE / FREQUENCY
 U = 120 thru 277V 50/60HZ

3 INSTALLED HEADS
 0 = None
 1 = One
 2 = Two

4 REMOTE HEADS¹
 0 = None
 1 = One
 2 = Two
 3 = Three
 4 = Four

5 OPTIONS²
 M = Medium Beam Optics (STANDARD)
 N = Narrow Beam Optics
 W = Wide Beam Optics

| Combinations Available | | |
|------------------------|--------|---------|
| Installed | Remote | Drivers |
| 2 | 0 | 1 |
| 1 | 1 | 1 |
| 0 | 2 | 1 |
| 2 | 2 | 2 |
| 1 | 3 | 2 |
| 0 | 4 | 2 |

¹XPEL Series emergency lights with remote head option are provided with extra LED driver. Remote heads can only be wired to the emergency fixtures with remote head option. LED heads are furnished with 1/2"-14 NPT male hub, must be installed on suitably listed explosion proof junction box not provided by RAL.

²Consult factory for pricing.

Maximum Input Power

XPEL Emergency Light with:

2 LED heads - 4 W

4 LED heads - 8 W

Maximum Output Data

Each Remote Head:

Voltage: 22V DC. max.

Current: 0.225 A (225mA)

Max. Power: 5 W

Certification Guide

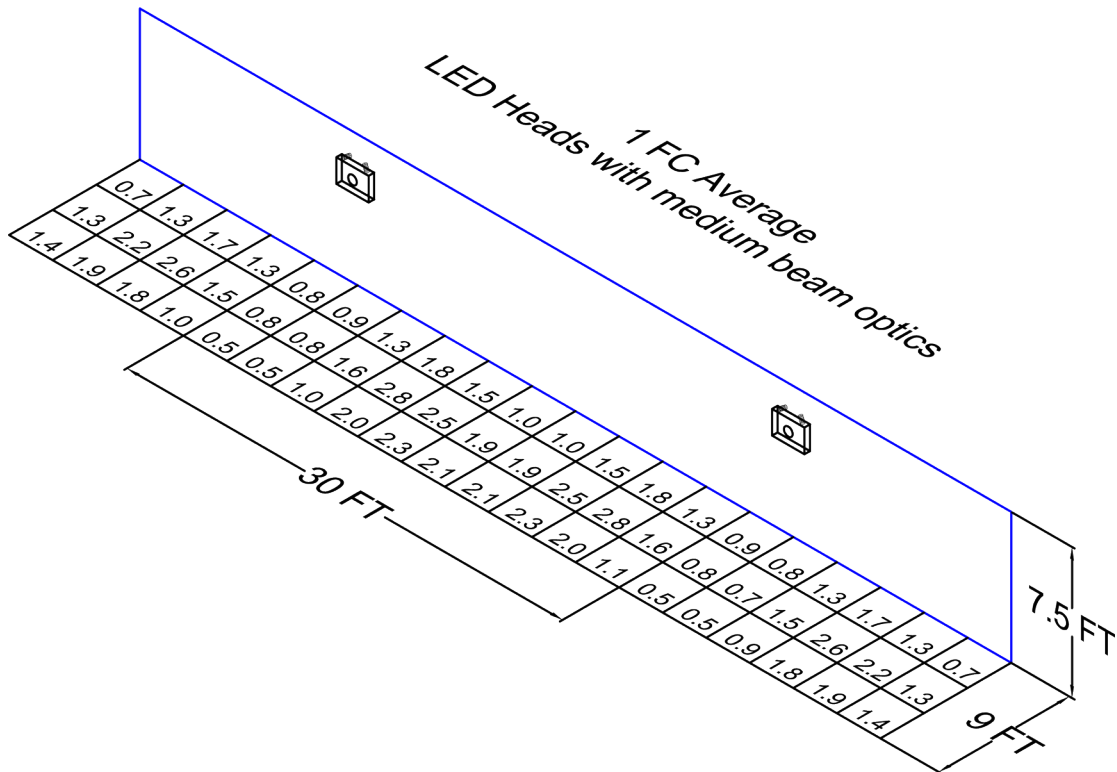
| XPEL Series Emergency Light | Ambient Temperature Range | Class I, Division 1 Groups C & D | Class II, Division 1 Groups E, F & G Class III | Simultaneous Presence Class I & II | UL 1598A Marine | CUL |
|-----------------------------|---------------------------|----------------------------------|------------------------------------------------|------------------------------------|-----------------|-----|
| XPEL | +10° C to +55° C | T6 | T6 | T6 | Yes | Yes |

Photometric Data

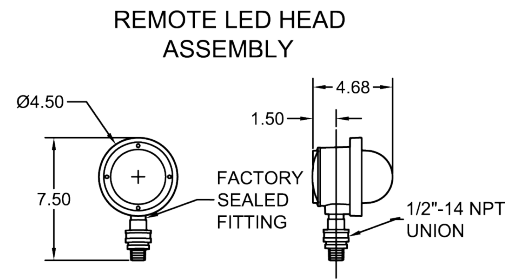
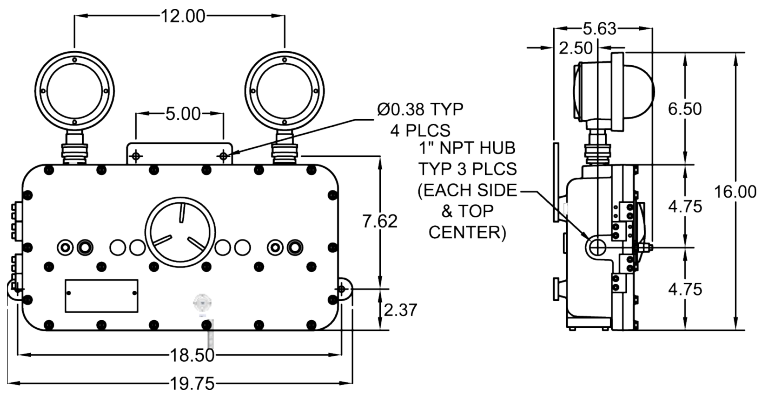
XPEL LED head with medium beam optics:

| | |
|-------------------------|--------|
| Total Lumens per Head | 420.78 |
| Output Power per Head | 4.83 |
| Efficacy (Lumens/Watts) | 87.12 |
| CRI | 72 |
| CCT | 5672 |

| | |
|------------------------------------------|------|
| Average Initial Footcandles at the Floor | 1.49 |
| Maximum Initial Footcandles at the Floor | 2.80 |
| Minimum Initial Footcandles at the Floor | 0.50 |
| Maximum to Minimum Ratio | 5.60 |



XPEL Series Fixture Dimensions (inches)



| XPEL SERIES | Shipping Weight | Shipping Volume |
|-------------------------------------------|-----------------|-----------------|
| Emergency Light | 35.0 lbs. | 2.2 cu. ft. |
| Emergency Light with Remote Heads Option* | 38.0 lbs. | 2.2 cu. ft. |
| Remote Head Assembly | 3.5 lbs. | 0.27 cu. ft. |

* Remote Head Assemblies are shipped separately.
 (Additional weight of the emergency light is due to extra driver for remote heads.)